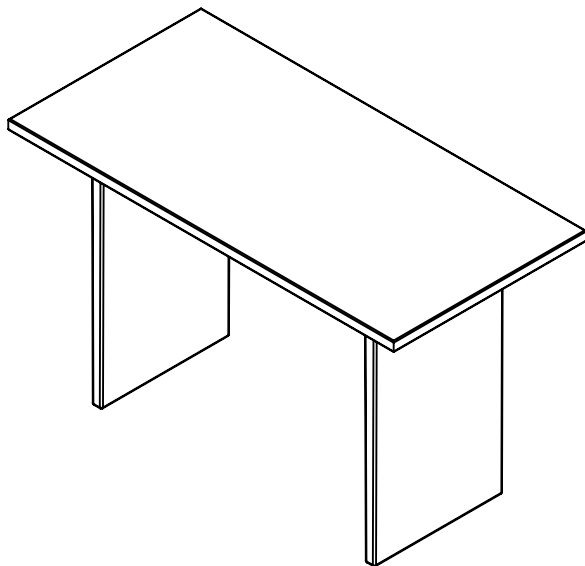


# GUBI

ASSEMBLY INSTRUCTIONS

*for*

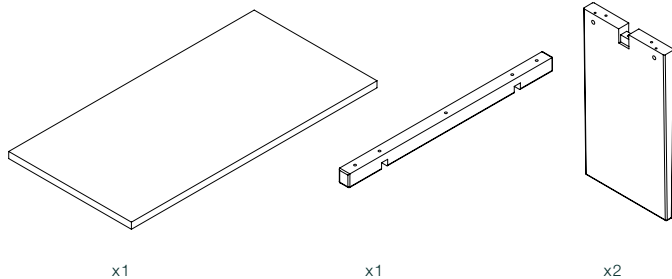
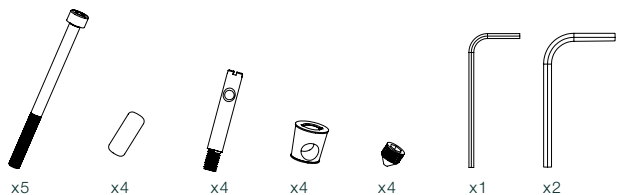
*Private Desk*



# GUBI

---

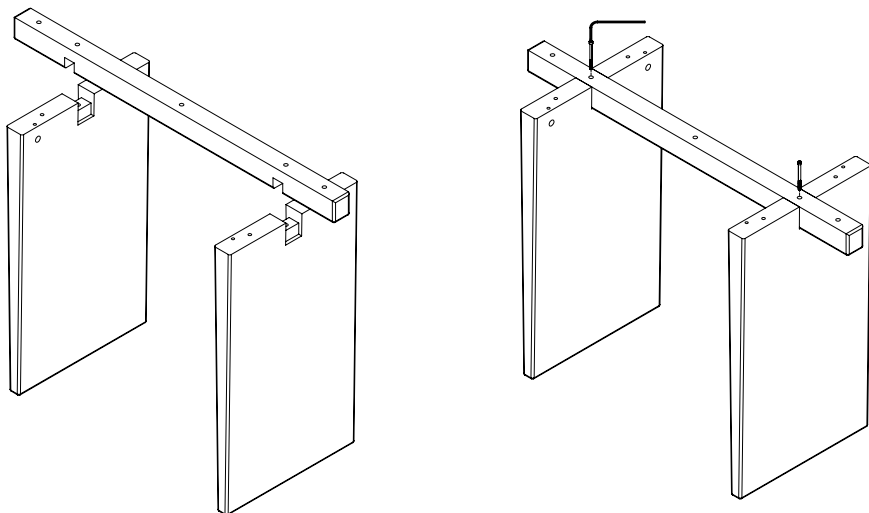
## CONTENTS



---

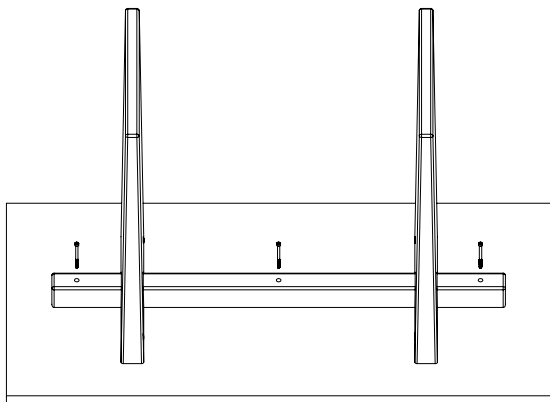
## 1.

Place the beam on top of the legs, (ensure holes on legs are placed inwards).  
Insert the screws and tighten using the allen key.



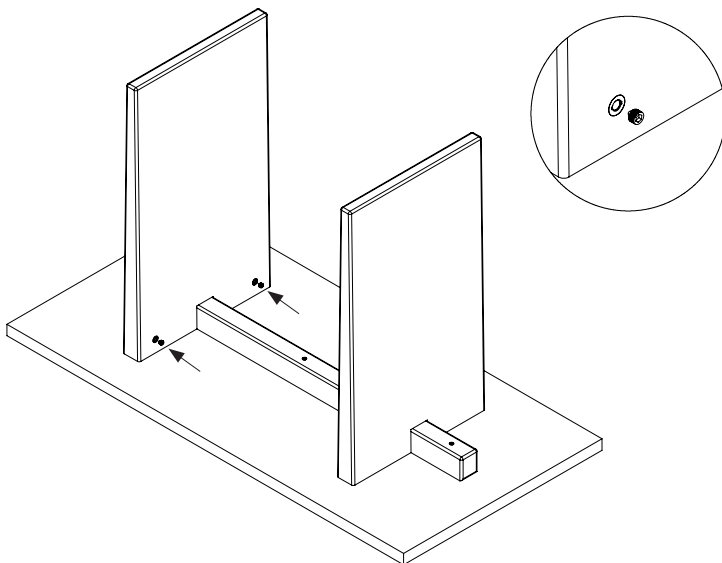
## 6.

Insert hexacon screws and tighten using the allen key.



## 7.

Insert grub screws and tighten with the allen key provided.  
Ensure all fixings are tight and turn the desk the right way up.





## CARE INSTRUCTIONS

For dusting and light cleaning of the wooden surface use a soft, dry cloth. For further cleaning, use a soft cloth that is firmly wrung in clean water for gently wiping the surface, and then immediately use a dry cloth to wipe the surface again.

Do not use materials for maintenance that:

- Contain abrasive agents.
- Are basic, acidiferous or organic.

For the best maintenance of the product, protect it against sunlight and heat, and try to keep it away from moisture, grease, and other dirt. Furthermore, protect the surfaces against sharp objects and others that might cause scratches. A hot object at all time must have a heat proof mat or trivet underneath, otherwise it will damage the lacquered surface.

## VENEERED PRODUCTS

Gubi's products of veneered wood are made of real wood veneer attached to MDF (Medium Density Fiberboard). The veneer is 1.2 mm thick, and cannot be sanded down. Given that the product is made of real wood, color and structure differences will occur naturally. Furthermore, the color of the product will change because of sunlight and light in general. We therefore recommend that you frequently move any objects you place on the product, to ensure an even surface. Veneered products are protected by a clear lacquer but excessive use of fluids left on the surface will penetrate the lacquer and result in damage to the veneer.

## REPAIRS AND MAINTENANCE

Strongly colored fluids, like red wine and fruit juice should be dried up immediately to avoid staining the surface. Deep dents and scratches in the wood can in most cases be repaired. These type of repairs should always be done by a professional carpenter.



For enquiries contact GUBI A/S - CVR: 17940384  
Klubiensvej 7-9, 2150 Nordhavn, Copenhagen, Denmark

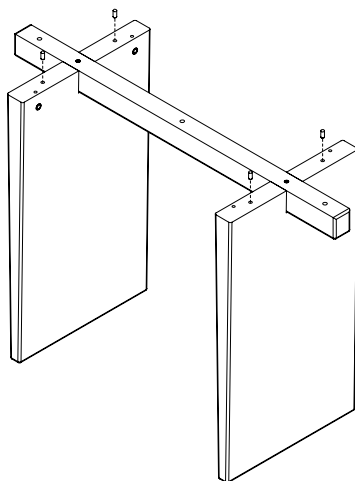
T +45 69 15 60 60 – [order@gubi.com](mailto:order@gubi.com)

[GUBI.COM](http://GUBI.COM)

---

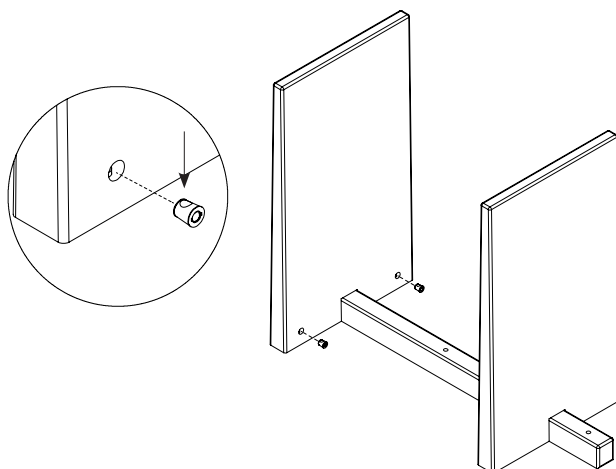
## 2.

Insert the dowels as illustrated below.



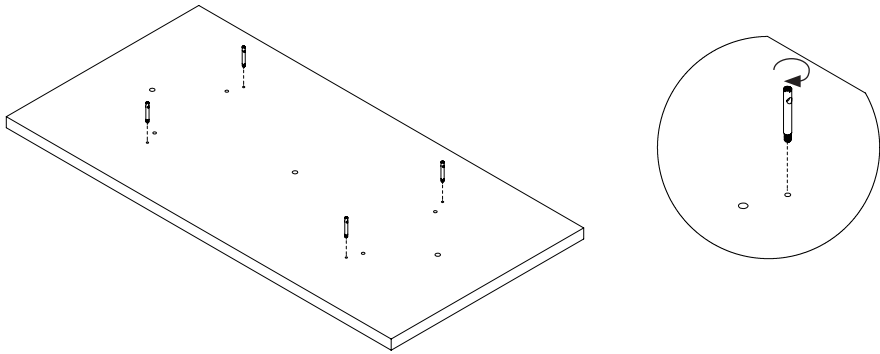
## 3.

Place the metal inserts into the holes in the legs. Insert completely with the hole facing upwards. It may be easier to place the table upside down.



## 4.

Place the table top upside down and insert the pins. Ensure the holes are facing inwards, and tighten using a screw driver.



## 5.

Place the base on top of the table top, inserting the pins in the correct place.

